

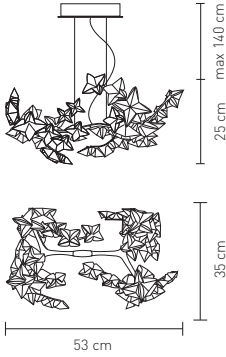
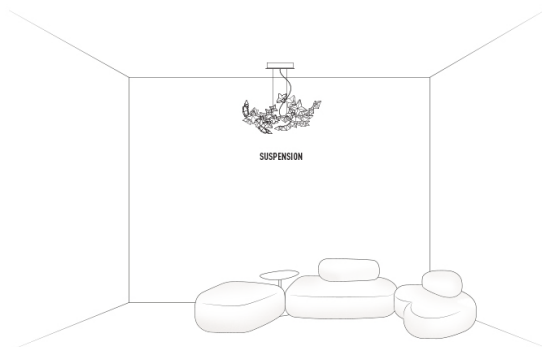


PRODUCT	SIZE	COLOUR	CODE
<p>SUSPENSION</p> <p>LED: 25W - 220Vac /36Vdc - 2500 lumen 2700 Kelvin</p> <p>Made of: Lentiflex® / Polycarbonate</p> <p>With: 5 LED sources</p> <p>Weight: net Kg 1,10 - gross Kg 2,10</p> <p>Package: 58 x 58 x h. 27 cm</p> <p>CE IP 20  </p>		<p>PRISMA</p>	<p>HAN78SOS0000LE000</p>

HANAMI ENTIRE COLLECTION



ENERGY CLASS

